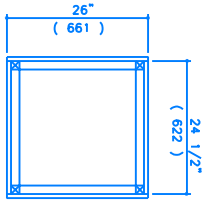


- 2) During step two, ensure the frame remains square. Assemble the axle assembly as shown (Fig. 8) with the outside measurement between the two wheels about 20" deep in pieces J, centered, 1" from the bottom ends. Use a drill depth gauge as shown (illustration 1). Place the axle in these holes. Now put the frame together as shown (Fig. 6 & 7) following the following procedure. Drill a 1/8" hole in each piece J, 5 7/8" from the bottom, going in the same direction as the axle. Countersink with a 1/4" bit on the outside edges. Place a piece H between the pieces J on the bottom edge 3" above the bottom of J, and drill a 1/16" hole into the hole through the piece H. Remove H, ensure the hole with 3" #8 threaded screws, one of each end. Drill one more 1/8" hole in each piece J, going in a direction perpendicular to the previous holes, 5 5/8" from the bottom. Drill similar holes in pieces N, 7 5/8" from their bottoms. Glue and screw in the two new pieces H with 3" #8 flathed screws. Now insert another piece H between the two pieces N and follow the above procedure, drilling holes 7 7/8" from the bottom ends. Drill, countersink, drill pilot holes, glue and screw in the final bottom level H with 3" #8 flathed screws. Ensure that the edges of all the pieces H are flush and level. Follow this same procedure to assemble the shelf. The shelf should be 1 1/2" above the first level of pieces H. (NOTE: If you are going to insert a propane bottle in the lower shelf, measure the height of the bottle, and mount the next shelf accordingly. Leave out two middle pieces G so that the upper part of the bottle will stick through. This will serve to prevent the bottle from falling over. Read the safety label on the propane bottle and follow those directions for mounting. It is also a good idea to nail some extra nails through the mounting pieces E and F into the pieces H to assist with the extra weight.) Drill two 1/8" holes in each end of the pieces F, 1 1/4" from the ends. Countersink with a 1/4" drill bit. Hold each piece up against its neighbor piece on one of the end assembly, 3/4" to the bottom edge flush with the bottom edge of H, and drill through the holes previously drilled. Glue and screw these pieces with 1 1/2" #8 flathed screws. Repeat this procedure to attach pieces E, drilling 3/4" from each edge. The edges of E and F should be flush. Lay in the pieces G in the bottom shelf and space evenly. Nail in pieces G with 2" finishing nails. Repeat to attach the pieces G&P for the upper shelf.
- 3) Center piece B under A with the outside edges flush and a gap 3/4" on the inside as shown (Fig. 9). Trace the outline of A on B, and remove B. Pre-drill the notched edges of B with two 1/8" holes each, and countersink with a 1/4" bit. Drill two 1/8" holes each, 1 1/4" from the ends. Drill two 1/4" #8 flathed screws. Drill the two pieces M with a 1/4" bit. Hold one piece M up to pieces N and drill 1/16" pilot holes into pieces N. Repeat with the other piece M into pieces J. Glue and screw the pieces into N and J with 1 1/2" #8 flathed screws. Glue the top edges of pieces M, and the tops of N and J, and place top A on the frame. One of the pieces M should fill the 3/4" gap between B and A. Nail through A into pieces M, N, and J with 1 1/2" finishing nails. Blunt the ends of the nails to prevent splitting.
- 4) Cover the surface of B with a film of glue, place in two tiles. Glue the top edge of K into the notched edge of B, and the bottom edge A with 3/32" finishing nails. Cover the surface of A with glue and lay in the tiles. Ensure that the tiles do not protrude over the edge of A. Glue the edges of A and B, nail on pieces C and D with 1 1/2" nails. Blunt the ends of the eight nails for attaching C into D to prevent splitting. Wipe off excess glue and allow the cart to dry overnight.
- 5) Tighten nuts so that the wheels do not wobble, but not so much as they will not turn. Set nails and fill nail and screw holes with wood putty. A hint, to match your stain and putty, stain a small patch of wood and allow stain to dry. Mix enough stain into the putty to match dry colored stain. Sand entire project and stain into the putty to match dry colored stain. Sand entire project and stain into the putty to match dry colored stain. Sand entire project and stain into the putty to match dry colored stain.

On materials:

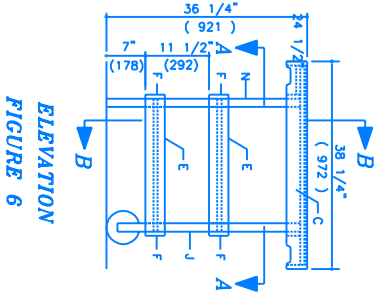
We suggest the use of clear cedar.



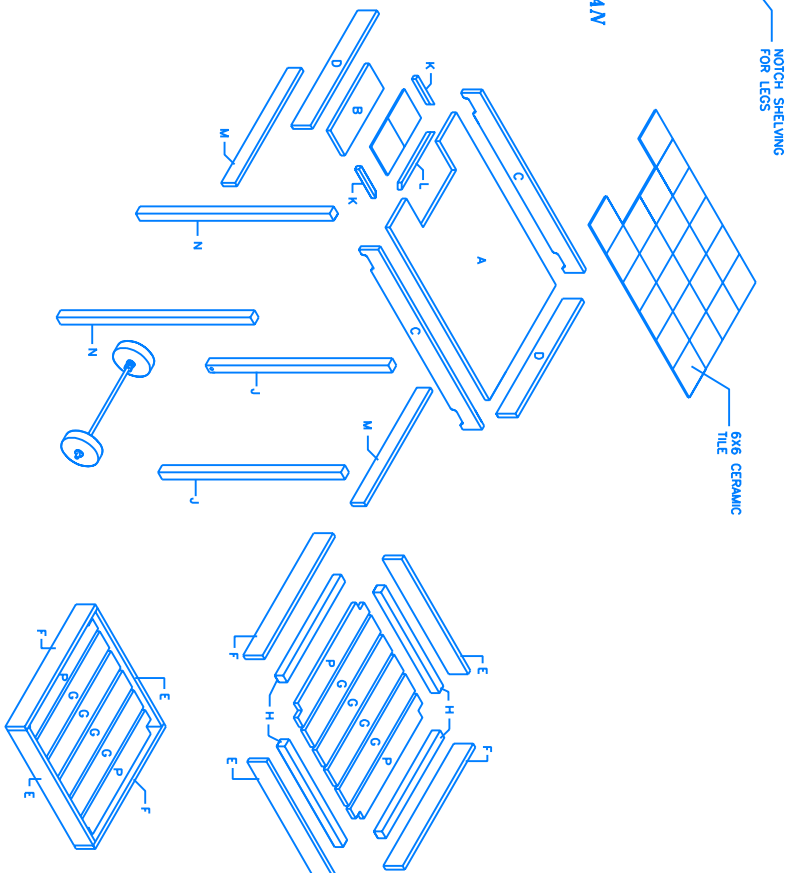
SECTION A
FIGURE 4



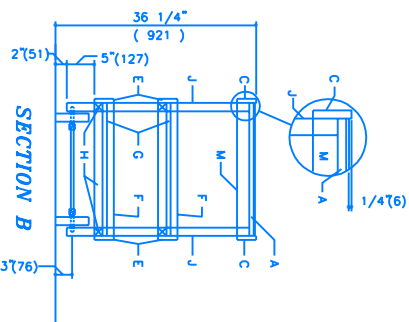
SHELF PLAN
FIGURE 5



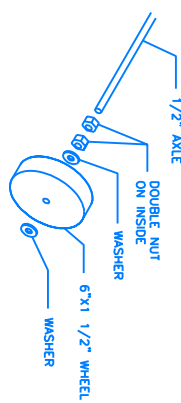
ELEVATION
FIGURE 6



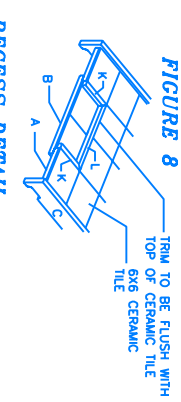
EXPLODED VIEW



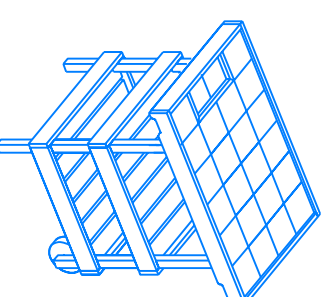
SECTION B
FIGURE 7



AXLE DETAIL
FIGURE 8



RECESS DETAIL
FIGURE 9



BARBEQUE CART
COMPLETED PROJECT

700L5

- Hammer
- Hand or Power drill
- Jigsaw
- Table saw
- 1/2", 1/16", 1/2", 1/4" drill bits
- Screwdriver
- 1/2" wrench

700L5

- Pencil
- Measuring tape
- Sanding paper
- Compass
- Glue spreader or
- Notched towel for ties
- Miter box

NOTICE

The purchaser agrees when purchasing this plan (the "Plan") that they will be responsible for the right to build or construct the object or project set out in the Plan (the "Project") for his/her/its personal use only and not for any commercial purpose. The Plan in whole or in part by any means whatsoever is strictly prohibited. Blueprints for the Handyman Project are not to be used to construct the Project or for any loss or damage resulting therefrom.

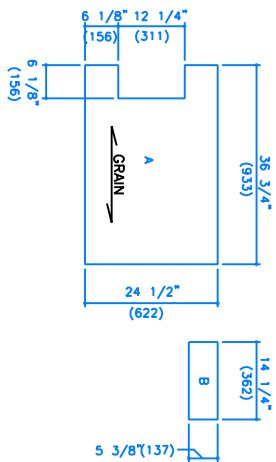
NOTE: Read all directions before beginning

Corpeners Glue should be used to reinforce all joints
Set all nails and countersink all screw holes
Dimensions in brackets denote millimeters

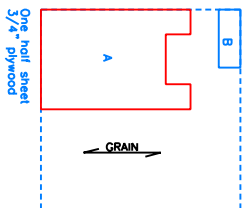
Directions

1) Lay out your material on the workbench, or on sawhorses, as outlined in the materials layout (Fig 1). Draw out all joints exactly as shown in the joinery detail (Fig 3). Leave a small space between cut lines to allow for the width of the saw. Before cutting, double check all measurements to ensure they are correct. Always cut on the waste side of the line. Sand all edges, sanding in a motion from the inside of the wood to the cut. Use a jigsaw to cut the handles in pieces C (Fig 3). Use a miter box to cut the 45 degree end cuts for pieces K and L, the long measurements are given.

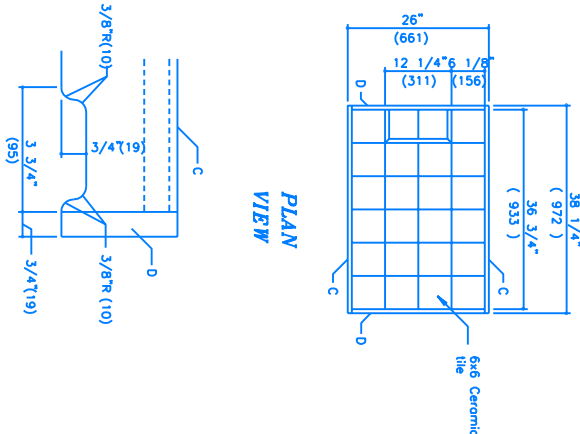
OVER



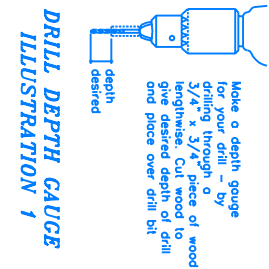
MATERIALS LAYOUT
FIGURE 1



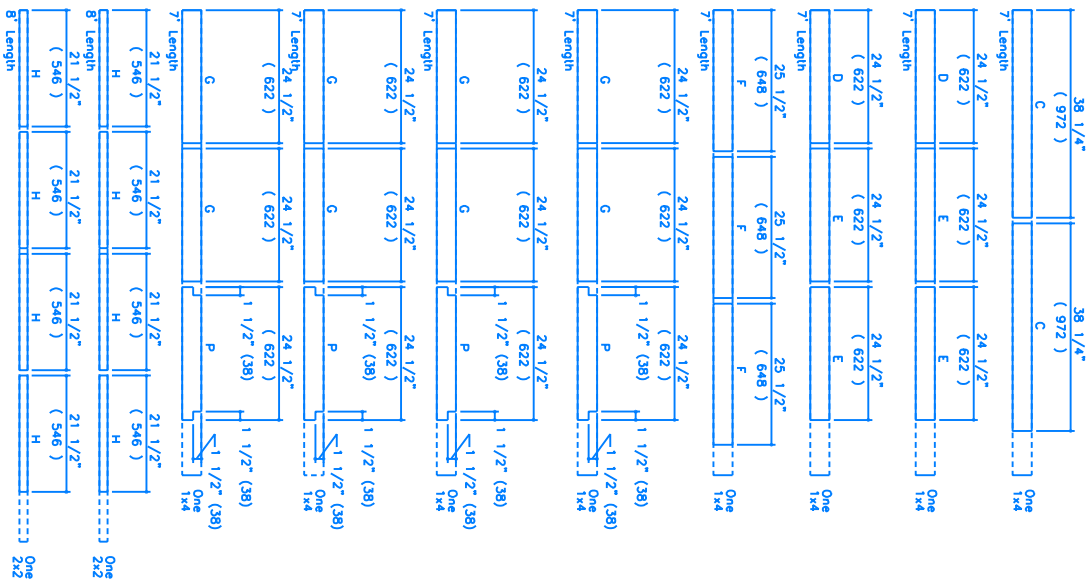
PLAN
VIEW



HANDLE DETAIL
FIGURE 3



DRILL DEPTH GAUGE
ILLUSTRATION 1



MATERIALS LIST

Approx. twenty 3" #8 finished screws
Approx. fifty 1 1/2" #8 finished screws
Approx. ten 1 1/4" #8 finished screws
Approx. seventy five 2" finishing nails
Approx. seventy five 1 1/2" finishing nails
Eight 7 1/4" (3/4"x3 1/2")
One 8 1/4" (3/4"x3 1/2")

MATERIALS LIST

Two 6" 2x2 (1 1/2"x1 1/2")
Two 8" 2x2 (1 1/2"x1 1/2")
One 48"x48" sheet 3/4" plywood, good one side
Twenty four 6"x6" Ceramic tiles
Two 6"x1 1/2" wheels (wood preferred)
23 1/2" threaded rod (1/2" dia)
Four 1/2" nuts

MATERIALS LIST

Four 1/2" washers
Corpeners Glue
Satin
Sandpaper
Glue for tiles
The grout

CUTTING DIAGRAM
FIGURE 2

